

## FEATURES

- **Guaranteed AC performance over temperature and voltage:**
  - >10.7Gbps data throughput
  - <60ps  $t_r/t_f$  times
  - <285ps  $t_{pd}$  (IN-to-Q)
  - <20ps skew
- **Low jitter:**
  - <10ps<sub>pp</sub> total jitter (clock)
  - <1ps<sub>rms</sub> random jitter (data)
  - <10ps<sub>pp</sub> deterministic jitter (data)
- **Crosstalk induced jitter: <0.7ps<sub>rms</sub>**
- **Accepts an input signal as low as 100mV**
- **Unique input termination and  $V_T$  pin accepts DC-coupled and AC-coupled differential inputs: LVPECL, LVDS, and CML**
- **50Ω source terminated CML outputs**
- **Fully differential inputs/outputs**
- **Power supply 2.5V ±5% and 3.3V ±10%**
- **Industrial -40°C to +85°C temperature range**
- **Available in 16-pin (3mm × 3mm) MLF® package**



Precision Edge®

## DESCRIPTION

The SY58023U is a 2.5V/3.3V precision, high-speed, fully differential CML 2 × 2 crosspoint switch. The SY58023U is optimized to provide two identical output copies with less than 20ps of skew and ultra-low jitter. It can route clock signals as fast as 6GHz or data up to 10.7Gbps.

The differential input includes Micrel's unique, 3-pin input termination architecture that allows the SY58023U to directly interface to LVPECL, LVDS, and CML differential signals (AC- or DC-coupled) as small as 100mV (200mV<sub>pp</sub>) without any level-shifting or termination resistor networks in the signal path. The CML outputs features 400mV typical swing into 50Ω loads, and provide an extremely fast rise/fall time guaranteed to be less than 60ps.

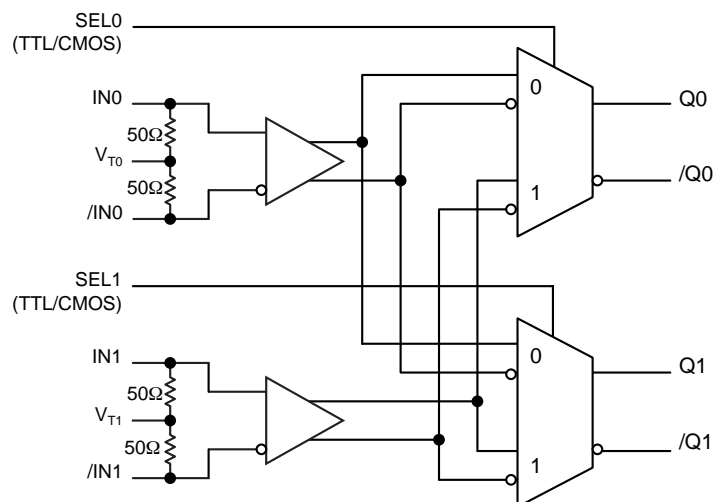
The SY58023U operates from a +2.5V ±5% supply or +3.3V ±10% supply and is guaranteed over the full industrial temperature range (-40°C to +85°C). For applications that require high speed dual CML switches, consider the SY58024U. The SY58023U is part of Micrel's high-speed, Precision Edge® product line.

Datasheets and support documentation can be found on Micrel's website at [www.micrel.com](http://www.micrel.com).

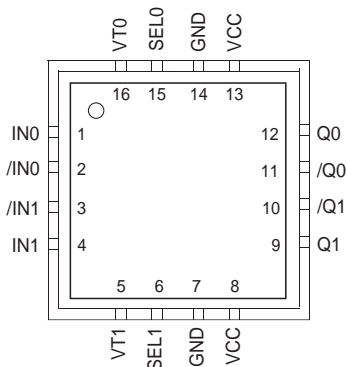
## APPLICATIONS

- Gigabit Ethernet data/clock routing
- SONET data/clocking routing
- Switch fabric clock routing
- Redundant switchover
- Backplane redundancy

## FUNCTIONAL BLOCK DIAGRAM



**PACKAGE/ORDERING INFORMATION**



**16-Pin MLF® (MLF-16)**

**Ordering Information<sup>(1)</sup>**

Part Number	Package Type	Operating Range	Package Marking	Lead Finish
SY58023UMI	MLF-16	Industrial	023U	Sn-Pb
SY58023UMITR <sup>(2)</sup>	MLF-16	Industrial	023U	Sn-Pb
SY58023UMG <sup>(3)</sup>	MLF-16	Industrial	023U with Pb-Free bar-line indicator	Pb-Free NiPdAu
SY58023UMGTR <sup>(2, 3)</sup>	MLF-16	Industrial	023U with Pb-Free bar-line indicator	Pb-Free NiPdAu

**Notes:**

1. Contact factory for die availability. Dice are guaranteed at T<sub>A</sub> = 25°C, DC electricals only.
2. Tape and Reel.
3. Pb-Free package recommended for new designs.

**PIN DESCRIPTION**

Pin Number	Pin Name	Pin Function
1, 2, 3, 4	IN0, /IN0, /IN1, IN1	Differential Signal Input: Each pin of this pair internally terminates with 50Ω to the VT pin. Note that this input will default to an indeterminate state if left open. See "Input Interface Applications" section.
16, 5	VT0, VT1	Input Termination Center-Tap: Each input terminates to this pin. The VT pin provides a center-tap for each input (IN, /IN) to a termination network for maximum interface flexibility. See "Input Interface Applications" section.
15, 6	SEL0, SEL1	Select Input: TTL/CMOS select input control that selects inputs IN0, or IN1. Note that this input is internally connected to a 25kΩ pull-up resistor and will default to a logic High state if left open.
7, 14	GND, (Exposed Pad)	Ground. Exposed pad must be connected to a ground plane that is the same potential as the device ground pin.
8, 13	VCC	Positive Power Supply: Bypass with 0.1μF  0.01μF low ESR capacitors as close to the pins as possible.
12, 11, 10, 9	Q0, /Q0, /Q1, Q1	CML Differential Output Pairs: Differential buffered output copy of the selected input signal. The CML output swing is typically 400mV across 100Ω. Unused output pairs may be left floating with no impact on jitter. See "CML Output Termination" section.

**TRUTH TABLE**

SEL0	SEL1	Q0	Q1
L	L	IN0	IN0
L	H	IN0	IN1
H	L	IN1	IN0
H	H	IN1	IN1

### Absolute Maximum Ratings<sup>(1)</sup>

Supply Voltage ( $V_{CC}$ ) ..... -0.5V to +4.0V  
 Input Voltage ( $V_{IN}$ ) ..... -0.5V to  $V_{CC}$   
 CML Output Voltage ( $V_{OUT}$ ) .....  $V_{CC} - 1.0V$  to  $V_{CC} + 0.5V$   
 Current ( $V_T$ )  
     Source or Sink Current on  $V_T$  pin .....  $\pm 100mA$   
 Input Current ( $V_T$ )  
     Source or Sink Current on IN, /IN .....  $\pm 50mA$   
 Lead Temperature (soldering, 20 sec.) ..... 260°C  
 Storage Temperature ( $T_S$ ) ..... -65°C +150°C

### Operating Ratings<sup>(2)</sup>

Supply Voltage ( $V_{CC}$ ) ..... +2.375V to +3.60V  
 Ambient Temperature ( $T_A$ ) ..... -40°C to +85°C  
 Package Thermal Resistance<sup>(3)</sup>  
     MLF® ( $\theta_{JA}$ )  
         Still-Air ..... 60°C/W  
         500lfpm ..... 54°C/W  
     MLF® ( $\psi_{JB}$ )  
         Junction-to-board ..... 38°C/W

## DC ELECTRICAL CHARACTERISTICS<sup>(4)</sup>

$T_A = -40^\circ C$  to  $+85^\circ C$ .

Symbol	Parameter	Condition	Min	Typ	Max	Units
$V_{CC}$	Power Supply Voltage	2.5V nominal	2.375	2.5	2.625	V
		3.3V nominal	3.0	3.3	3.60	V
$I_{CC}$	Power Supply Current	$V_{CC} = \text{max.}$ , current through internal 50Ω source termination resistor included.		100	130	mA
$V_{IH}$	Input HIGH Voltage	IN, /IN, Note 5	$V_{CC} - 1.6$		$V_{CC}$	V
$V_{IL}$	Input LOW Voltage	IN, /IN	0		$V_{IH} - 0.1$	V
$V_{IN}$	Input Voltage Swing	IN, /IN; see Figure 1a.	0.1		1.7	V
$V_{DIFF\_IN}$	Differential Input Swing	IN, /IN; see Figure 1b.	0.2			V
$R_{IN}$	IN-to- $V_T$ Resistance		40	50	60	Ω
IN to $V_T$					1.28	V

## LVTTTL/CMOS DC ELECTRICAL CHARACTERISTICS<sup>(4)</sup>

$V_{CC} = 2.5V \pm 5\%$  or  $3.3V \pm 10\%$ ;  $T_A = -40^\circ C$  to  $85^\circ C$

Symbol	Parameter	Condition	Min	Typ	Max	Units
$V_{IH}$	Input HIGH Voltage		2.0			V
$V_{IL}$	Input LOW Voltage				0.8	V
$I_{IH}$	Input HIGH Current				40	μA
$I_{IL}$	Input LOW Current		-300			μA

**Notes:**

1. Permanent device damage may occur if ratings in the "Absolute Maximum Ratings" section are exceeded. This is a stress rating only and functional operation is not implied for conditions other than those detailed in the operational sections of this data sheet. Exposure to absolute maximum ratings conditions for extended periods may affect device reliability.
2. The data sheet limits are not guaranteed if the device is operated beyond the operating ratings.
3. Thermal performance assumes exposed pad is soldered (or equivalent) to the device's most negative potential (GND) on the PCB.  $\theta_{JA}$  uses 4-layer in still-air, unless otherwise stated.
4. The circuit is designed to meet the DC specifications shown in the above table after thermal equilibrium has been established.
5.  $V_{IH}$  (min) not lower than 1.2V.

**CML OUTPUT DC ELECTRICAL CHARACTERISTICS<sup>(6)</sup>**

V<sub>CC</sub> = +3.3V ±10% or +2.5V ±5%; R<sub>L</sub> = 100Ω across each output pair; T<sub>A</sub> = -40°C to +85°C, unless otherwise stated.

Symbol	Parameter	Condition	Min	Typ	Max	Units
V <sub>OH</sub>	Output HIGH Voltage	Q0, /Q0; Q1, /Q1	V <sub>CC</sub> -0.020		V <sub>CC</sub>	V
V <sub>OUT</sub>	Output Voltage Swing	Q0, /Q0; Q1, /Q1; see Figure 1a.	325	400	500	mV
V <sub>DIFF_OUT</sub>	Differential Voltage Swing	Q0, /Q0; Q1, /Q1; see Figure 1b.	650	800	1000	mV
R <sub>OUT</sub>	Output Source Impedance	Q0, /Q0; Q1, /Q1	40	50	60	Ω

**Notes:**

6. The circuit is designed to meet the DC specifications shown in the above table after thermal equilibrium has been established

**AC ELECTRICAL CHARACTERISTICS<sup>(7)</sup>**

V<sub>CC</sub> = 2.5V ±5% or 3.3V ±10%; R<sub>L</sub> = 100Ω across each output pair; T<sub>A</sub> = -40°C to +85°C, unless otherwise stated.

Symbol	Parameter	Condition	Min	Typ	Max	Units
f <sub>MAX</sub>	Maximum Operating Frequency	V <sub>IN</sub> ≥ 100mV; V <sub>OUT</sub> ≥ 200mV Clock	6			GHz
		NRZ Data	10.7			Gbps
t <sub>pd</sub>	Propagation Delay	IN-to-Q	135		285	ps
		SEL-to-Q	100		400	ps
t <sub>SKEW</sub>	Channel-to-Channel Skew (Within Bank)	<b>Note 8</b>			20	ps
	Part-to-Part Skew	<b>Note 9</b>			75	ps
t <sub>JITTER</sub>	Clock Cycle-to-Cycle Jitter	<b>Note 10</b>			1	ps <sub>RMS</sub>
		Total Jitter	<b>Note 11</b>			10
	Data Random Jitter	<b>Note 12</b>			1	ps <sub>RMS</sub>
		Deterministic Jitter	<b>Note 13</b>			10
	Crosstalk Induced Jitter (Adjacent Channel)	<b>Note 14</b>			0.7	ps <sub>RMS</sub>
t <sub>r</sub> , t <sub>f</sub>	Output Rise/Fall Time	20% to 80%, at full swing.	25		60	ps

**Notes:**

7. Measured with 100mV input swing. High frequency AC-parameters are guaranteed by design and characterization.
8. Skew is measured between outputs of the same bank under identical transitions.
9. Skew is defined for two parts with identical power supply voltages at the same temperature and with no skew of the edges at the respective inputs.
10. Cycle-to-cycle jitter definition: The variation of periods between adjacent cycles, T<sub>n</sub>-T<sub>n-1</sub> where T is the time between rising edges of the output signal.
11. Total jitter definition: With an ideal clock input of frequency ≤ f<sub>MAX</sub>, no more than one output edge in 10<sup>12</sup> output edges will deviate by more than the specified peak-to-peak jitter value.
12. Random jitter is measured with a K28.7 comma detect character pattern, measured at 2.5Gbps-3.2Gbps.
13. Deterministic jitter is measured at 2.5Gbps-3.2Gbps with both K28.5 and 2<sup>23</sup>-1 PRBS pattern.
14. Crosstalk induced jitter is defined as the added jitter that results from signals applied to two adjacent channels. It is measured at the output while applying similar, differential clock frequencies that are asynchronous with respect to each other at inputs.

**SINGLE-ENDED AND DIFFERENTIAL SWINGS**

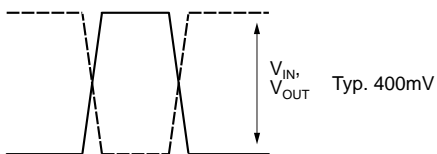


Figure 1a. Single-Ended Voltage Swing

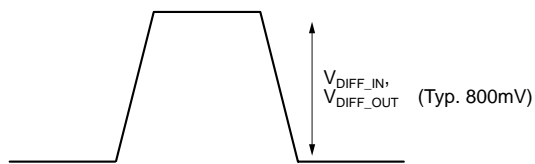


Figure 1b. Differential Voltage Swing

**TIMING DIAGRAM**

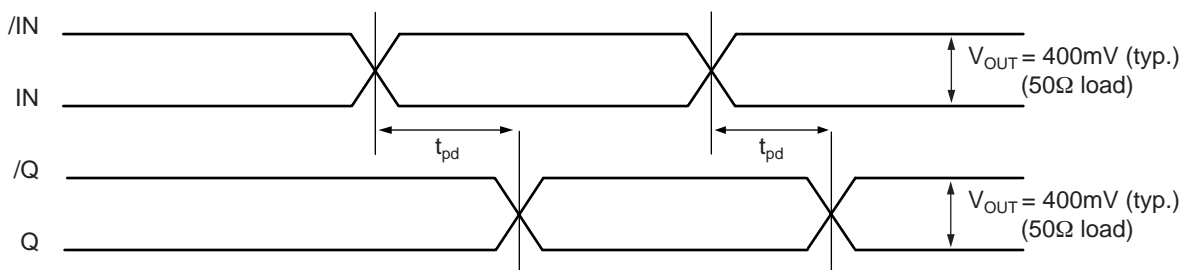
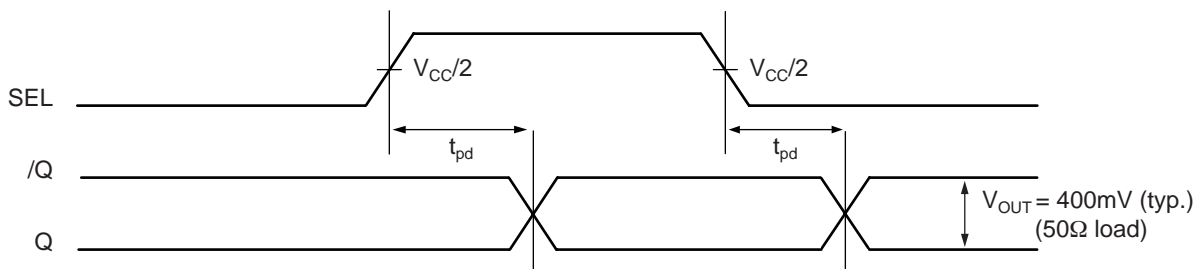


Figure 2a. AC Timing Diagram IN-to-Q

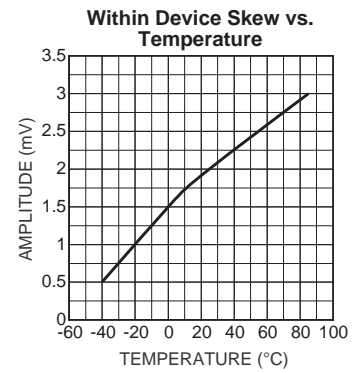
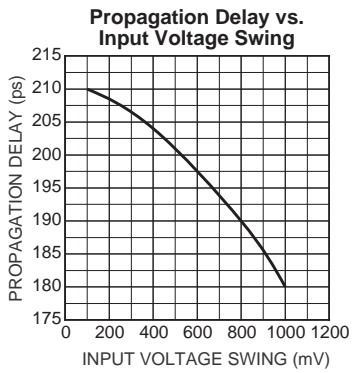
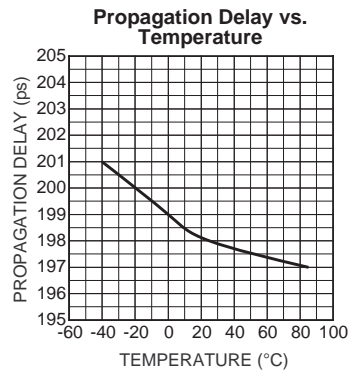
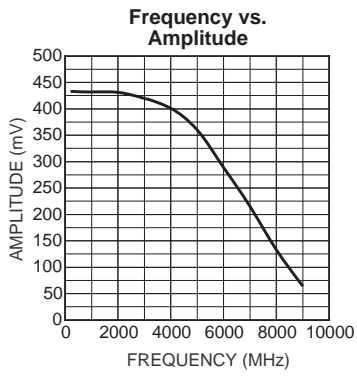


IN0, /IN1 = LOW, /IN0, IN1 = HIGH

Figure 2b. AC Timing Diagram SEL-to-Q

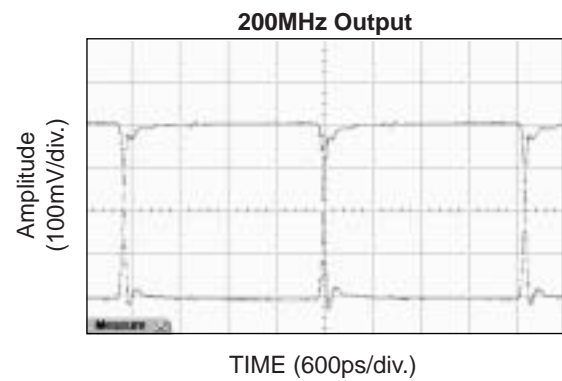
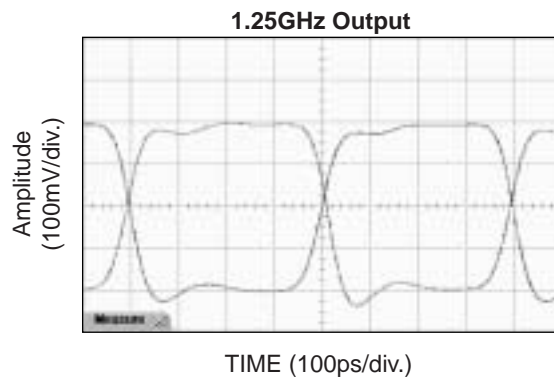
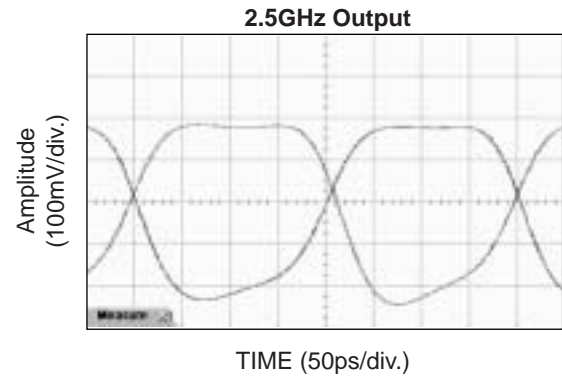
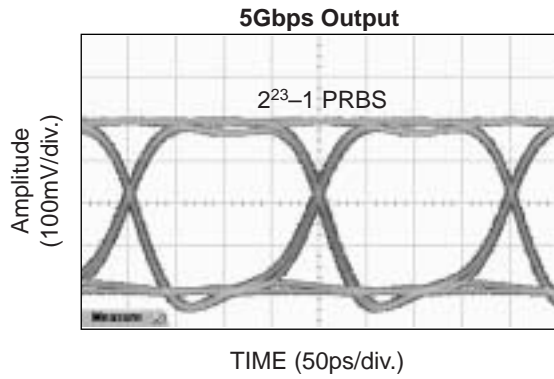
**TYPICAL OPERATING CHARACTERISTICS**

$V_{CC} = 2.5V$ ,  $V_{IN} = 100mV$ ,  $T_A = 25^{\circ}C$ , unless otherwise noted.



## FUNCTIONAL CHARACTERISTICS

$V_{CC} = 2.5V$ ,  $V_{IN} = 100mV$ ,  $T_A = 25^\circ C$ , unless otherwise noted.



**INPUT STAGE**

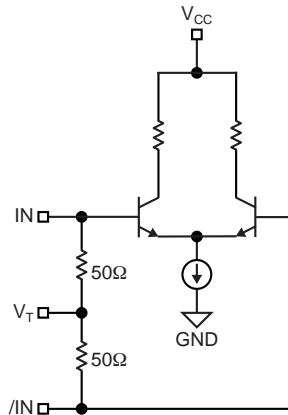
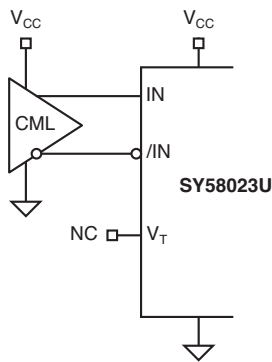


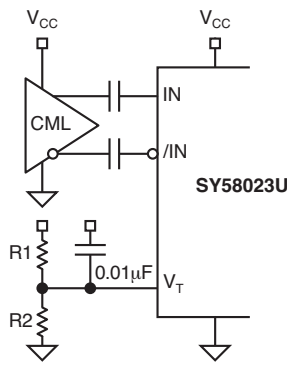
Figure 3. Simplified Differential Input Buffer

**INPUT INTERFACE APPLICATIONS**



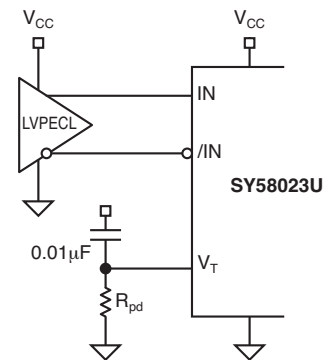
Option: may connect  $V_T$  to  $V_{CC}$

Figure 4a. DC-Coupled CML Input Interface



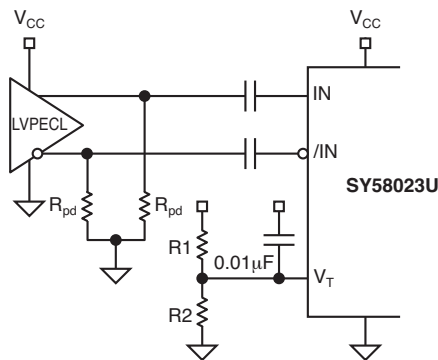
For 2.5V,  $R_1 = 1\text{k}\Omega$ ,  $R_2 = 1.1\text{k}\Omega$ .  
For 3.3V,  $R_1 = 649\Omega$ ,  $R_2 = 1\text{k}\Omega$ .

Figure 4b. AC-Coupled CML Input Interface



For  $V_{CC} = 2.5\text{V}$ ,  $R_{pd} = 19\Omega$ .  
For  $V_{CC} = 3.3\text{V}$ ,  $R_{pd} = 50\Omega$ .

Figure 4c. DC-Coupled LVPECL Input Interface



For  $V_{CC} = 2.5\text{V}$ ,  $R_{pd} = 50\Omega$ ,  $R_1 = 1\text{k}\Omega$ ,  $R_2 = 1.1\text{k}\Omega$ .  
For  $V_{CC} = 3.3\text{V}$ ,  $R_{pd} = 100\Omega$ ,  $R_1 = 649\Omega$ ,  $R_2 = 1\text{k}\Omega$ .

Figure 4d. AC-Coupled LVPECL Input Interface

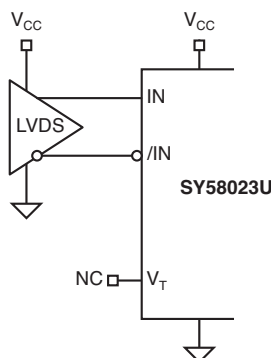


Figure 4e. LVDS Input Interface



**CML OUTPUT TERMINATION**

Figures 5 and Figure 6 illustrates how to terminate a CML output using both the AC-coupled and DC-coupled configuration. All outputs of the SY58023U are 50Ω with a 16mA current source.

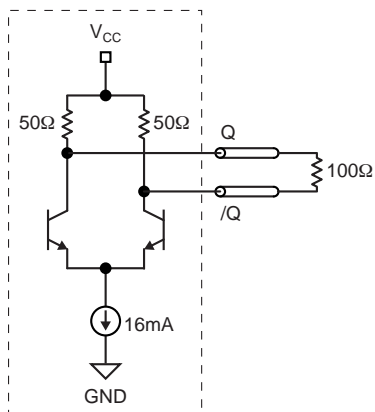


Figure 5. CML DC-Coupled Termination

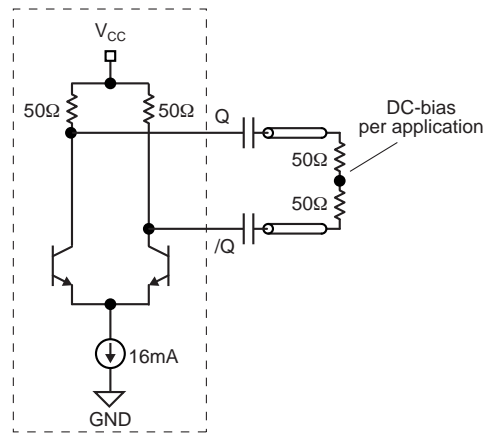
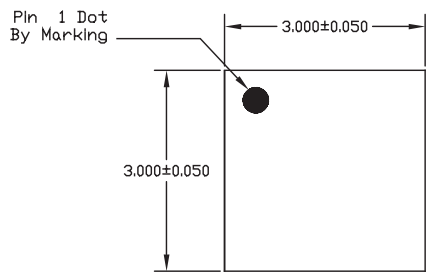


Figure 6. CML AC-Coupled Termination

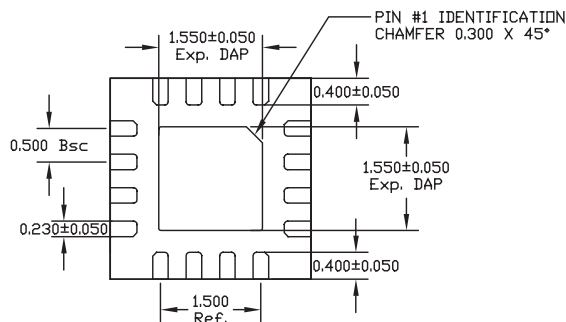
**RELATED PRODUCT AND SUPPORT DOCUMENTATION**

Part Number	Function	Data Sheet Link
SY58023U	Ultra-low Jitter 2x2 Crosspoint Switch w/CML Outputs and Internal I/O Termination	<a href="http://www.micrel.com/product-info/products/sy58023u.shtml">http://www.micrel.com/product-info/products/sy58023u.shtml</a>
SY58024U	Ultra-low Jitter Dual 2x2 Crosspoint Switch w/CML Outputs and Internal I/O Termination	<a href="http://www.micrel.com/product-info/products/sy58024u.shtml">http://www.micrel.com/product-info/products/sy58024u.shtml</a>
	16-MLF® Manufacturing Guidelines Exposed Pad Application Note	<a href="http://www.amkor.com/products/notes_papers/MLF_AppNote.pdf">www.amkor.com/products/notes_papers/MLF_AppNote.pdf</a>
	HBW Solutions	<a href="http://www.micrel.com/product-info/as/solutions.shtml">http://www.micrel.com/product-info/as/solutions.shtml</a>

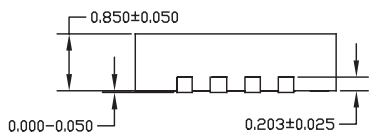
**16-PIN MicroLeadFrame® (MLF-16)**



TOP VIEW

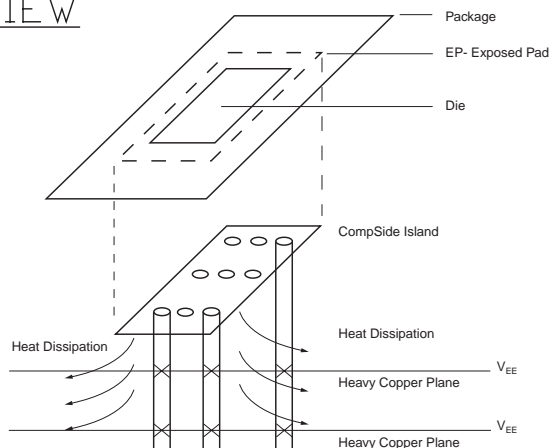


BOTTOM VIEW



SIDE VIEW

- NOTE:
1. ALL DIMENSIONS ARE IN MILLIMETERS.
  2. MAX. PACKAGE WARPAGE IS 0.05 mm.
  3. MAXIMUM ALLOWABLE BURRS IS 0.076 mm IN ALL DIRECTIONS.
  4. PIN #1 ID ON TOP WILL BE LASER/INK MARKED.



**PCB Thermal Consideration for 16-Pin MLF® Package  
(Always solder, or equivalent, the exposed pad to the PCB)**

**Package Notes:**

1. Package meets Level 2 qualification.
2. All parts are dry-packaged before shipment.
3. Exposed pads must be soldered to a ground for proper thermal management.

**MICREL, INC. 2180 FORTUNE DRIVE SAN JOSE, CA 95131 USA**

TEL + 1 (408) 944-0800 FAX + 1 (408) 474-1000 WEB <http://www.micrel.com>

The information furnished by Micrel in this data sheet is believed to be accurate and reliable. However, no responsibility is assumed by Micrel for its use. Micrel reserves the right to change circuitry and specifications at any time without notification to the customer.

Micrel Products are not designed or authorized for use as components in life support appliances, devices or systems where malfunction of a product can reasonably be expected to result in personal injury. Life support devices or systems are devices or systems that (a) are intended for surgical implant into the body or (b) support or sustain life, and whose failure to perform can be reasonably expected to result in a significant injury to the user. A Purchaser's use or sale of Micrel Products for use in life support appliances, devices or systems is at Purchaser's own risk and Purchaser agrees to fully indemnify Micrel for any damages resulting from such use or sale.

© 2005 Micrel, Incorporated.